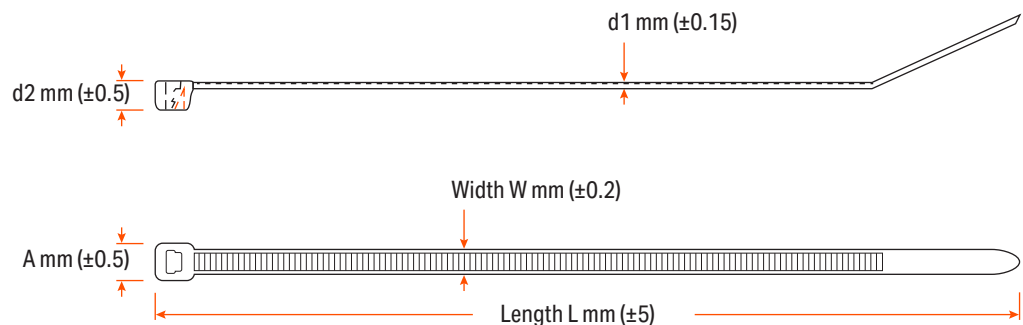
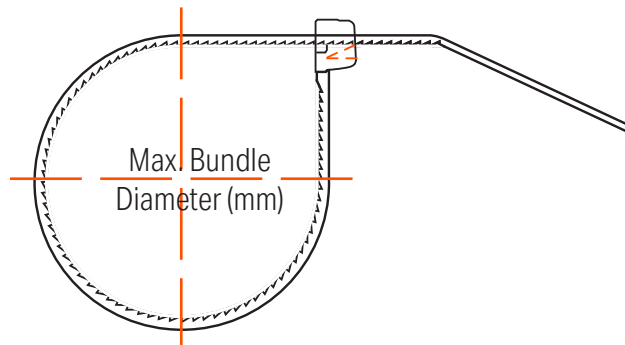


Cable Ties

UV & Heat Stabilised

- **Material:** UL approved Nylon 66, 94V-2.
- **Feature:** UV Stabilised cable ties have a higher carbon content for greater resistance to ultra violet exposure in outdoor usage.
Heat Stabilised cable ties provide additional thermal endurance without affecting performance.
- **Application:** Self-locking for fast and easy application.
- **Operating Temperature:** -40°C to +120°C



Cable Ties

UV & Heat Stabilised

Item No.	Colour	Width W (mm)	Length L (mm)	Depth d1 (mm)	Head Depth d2 (mm)	Head Width A (mm)	Max. Bundle Diameter (mm)	Min. Tensile Strength (kg)
UVTR1-B	Black	2.5	100	1.2	4.0	4.6	22	8
UVTR2-B	Black	3.6	150	1.2	4.7	6.7	36	18
UVTR5-B	Black	4.8	203	1.3	5.9	8.4	52	22
UVTR8-B	Black	4.8	300	1.3	5.9	8.4	83	22
UVTR10-B	Black	4.8	368	1.3	5.9	8.4	105	22
UVTR12-B	Black	4.8	430	1.3	5.9	8.4	125	22
UVTR9-B	Black	7.6	300	1.8	7.8	12.5	80	55
UVTR11-B	Black	7.6	380	1.8	7.8	12.5	101	55
UVTR15-B	Black	9.0	450	1.8	8.2	14.2	128	80
UVTR16-B	Black	9.0	550	1.8	8.2	14.2	160	80
UVTR14-B	Black	9.0	710	1.8	8.2	14.2	209	80
UVTR21-B	Black	9.0	762	1.8	8.2	14.2	227	80
UVTR13-B	Black	12.7	580	2.0	9.8	19.6	169	114
UVTR18-B	Black	12.7	1030	2.0	9.8	19.6	312	114
UVTR1-W	Natural	2.5	100	1.2	4.0	4.6	22	8
UVTR2-W	Natural	3.6	150	1.2	4.7	6.7	36	18
UVTR5-W	Natural	4.8	203	1.3	5.9	8.4	52	22
UVTR8-W	Natural	4.8	300	1.3	5.9	8.4	83	22
UVTR10-W	Natural	4.8	368	1.3	5.9	8.4	105	22
UVTR12-W	Natural	4.8	430	1.3	5.9	8.4	125	22
UVTR9-W	Natural	7.6	300	1.8	7.8	12.5	80	55
UVTR11-W	Natural	7.6	380	1.8	7.8	12.5	101	55
UVTR15-W	Natural	9.0	450	1.8	8.2	14.2	128	80
UVTR16-W	Natural	9.0	550	1.8	8.2	14.2	160	80
UVTR14-W	Natural	9.0	710	1.8	8.2	14.2	209	80
UVTR21-W	Natural	9.0	762	1.8	8.2	14.2	227	80
UVTR13-W	Natural	12.7	580	2.0	9.8	19.6	169	114
UVTR18-W	Natural	12.7	1030	2.0	9.8	19.6	312	114